

HEAVY-DUTY FORKLIFTS 16 t - 32 t



SANY

DON'T ACCEPT ANYTHING LESS.

QUALITY CHANGES THE WORLD

SANY has the ambition and the resources to provide the market with refreshing alternative products developed and manufactured to the highest European standards and requirements. Quality, reliability and top customer service are our guiding principles. The SANY Europe team accompany every project from development through to delivery. Having highly satisfied customers is our priority.

5-YEAR WARRANTY ON PORT MACHINERY FROM 2018*

- Prevents unplanned costs for reliability-based repairs during the first 5 years/10,000 operating hours.
- When SANY is prepared provide 5-years warranty, it must be very confident of the reliability of its products.

EXTENSIVE EXPERIENCE IN MOBILE HEAVY-DUTY MACHINERY

- No other manufacturer of heavy-duty forklifts and reach stackers has produced as many vehicles.
- Many opportunities for ongoing product improvement have been implemented.
- Mobile heavy-duty machinery have been designed and adapted to a wide range of applications.

SANY IS ONE OF THE WORLD'S LARGEST MANUFACTURERS OF HEAVY-DUTY LIFTING VEHICLES

- Customers gain from high-volume production. What is standard equipment at SANY, comes only as an extra from competitors.
- Line production is more efficient. Routine and optimisation improves production quality.

IN-HOUSE STEEL ENGINEERING FOR COMPONENT DURABILITY

- Frames, masts and fork carriers are developed, tested and manufactured within SANY facilities. This allows full quality control and fast improvement cycles.
- Many of the SANY heavy-duty forklifts have proven their durability in harsh conditions in large Asian ports and have already been in operation for several 10,000 hours without any signs of fatigue.

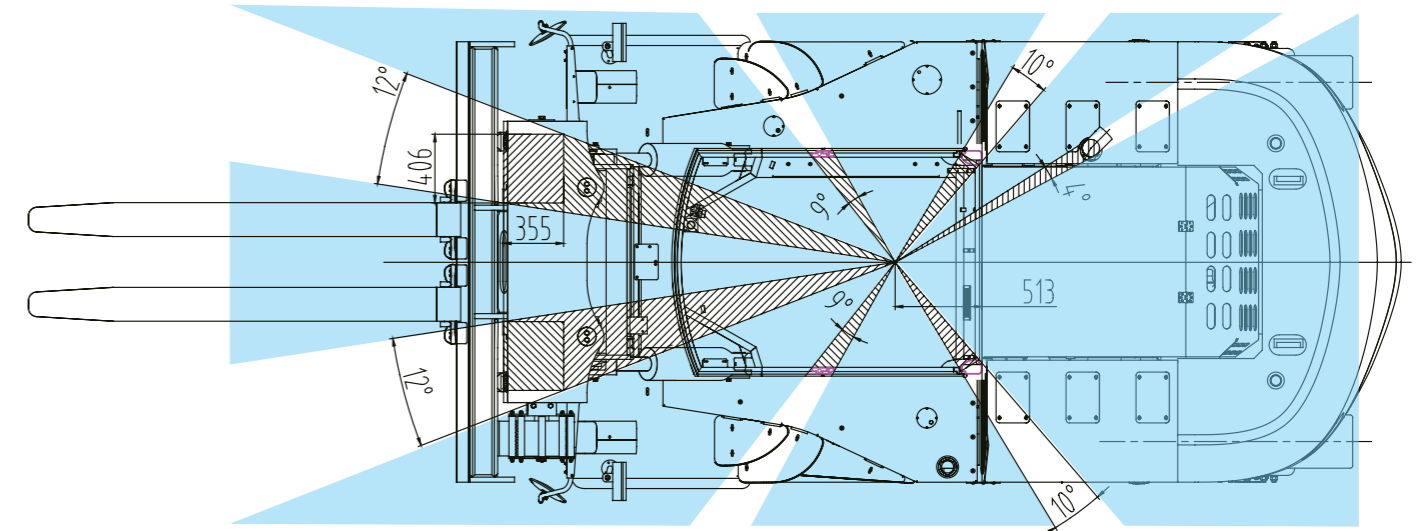


YOUR BENEFITS.

SANY dedicates particular importance to the vital features of operator comfort and safety. The cabin is ergonomic and spacious allowing effortless operation. Redundant CAN BUS technology is used throughout the vehicle's control system to guarantee optimum availability and reliable operation. The vehicles are designed for easy maintenance via easy access service points. Durable and proven brand components combined with intelligent and state-of-the-art technology make SANY forklifts a cost-effective and highly reliable product.



OPTIMISED CABIN DESIGN
For exceptional operator comfort.



293° VISIBILITY

Forward visibility and visibility through the front side windows is virtually unrestricted. SANY's intelligent cabin design means no A-pillars are required. The front windscreen joins to the side and roof windows via special seals. The resulting excellent visibility aids safe operation.



ELECTRICALLY TILTING OPERATOR CABIN
For easier maintenance.

EASY ENTRY/EXIT, ERGONOMIC OPERATION

The steering wheel can be height and tilt adjusted to suit the operator. The complete steering column can be pivoted forward for easy entry and exit. Pivoting is activated via a footrest without affecting steering-adjustment settings.



OPERATOR INFORMATION SYSTEM
Displays important information in real time.



CAN BUS JOYSTICK WITH CAN SAFETY
Easy operation.



INTELLIGENT DESIGN
For simple maintenance.

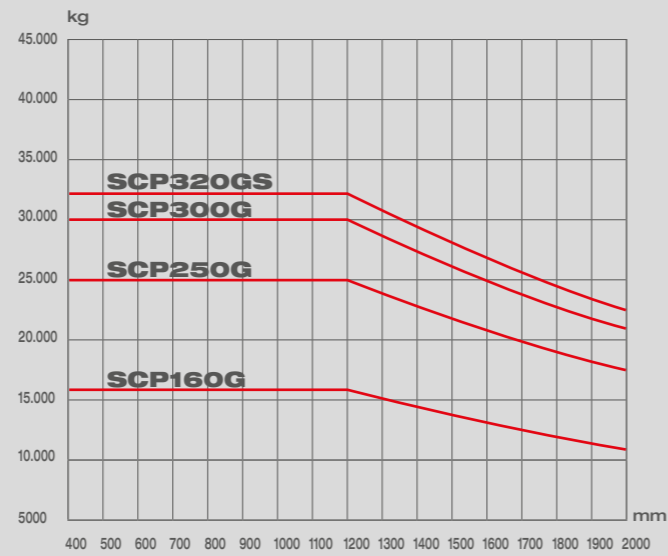
EASY ACCESS

Transmission and hydraulic components are easy to access by tilting the cabin. Models from SCP300G have sideways sliding cabins.

HIGHLY CAPABLE, COMPACT DIMENSIONS.



LOAD CURVE GRAPH

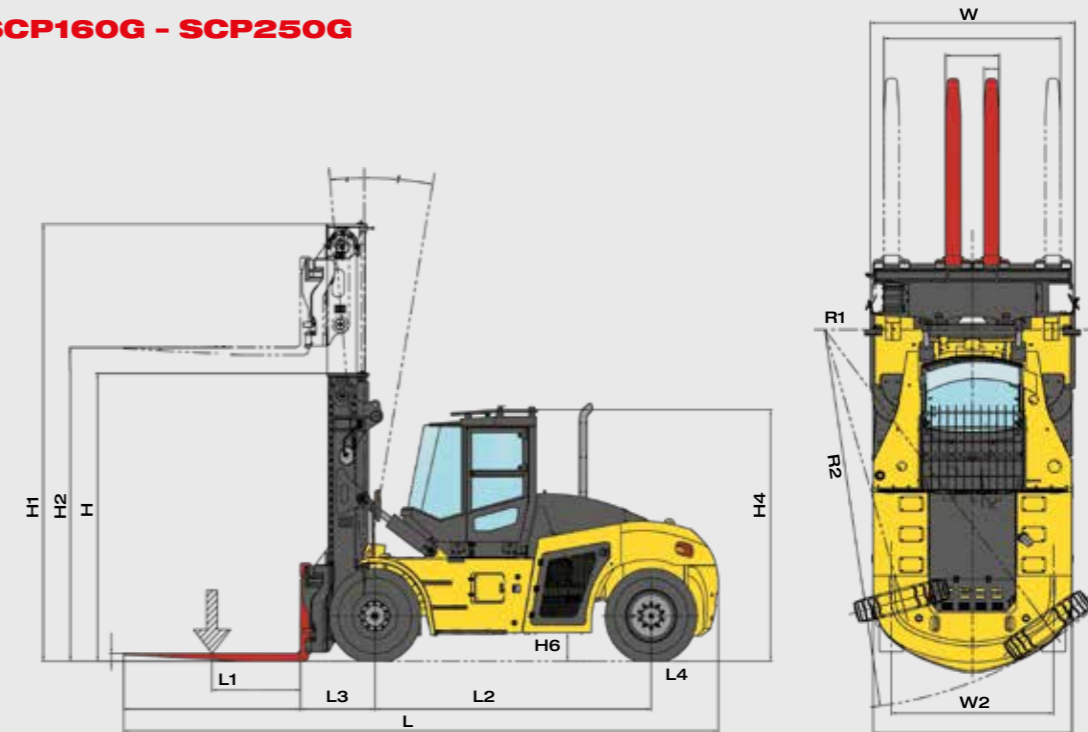


MODEL NAME

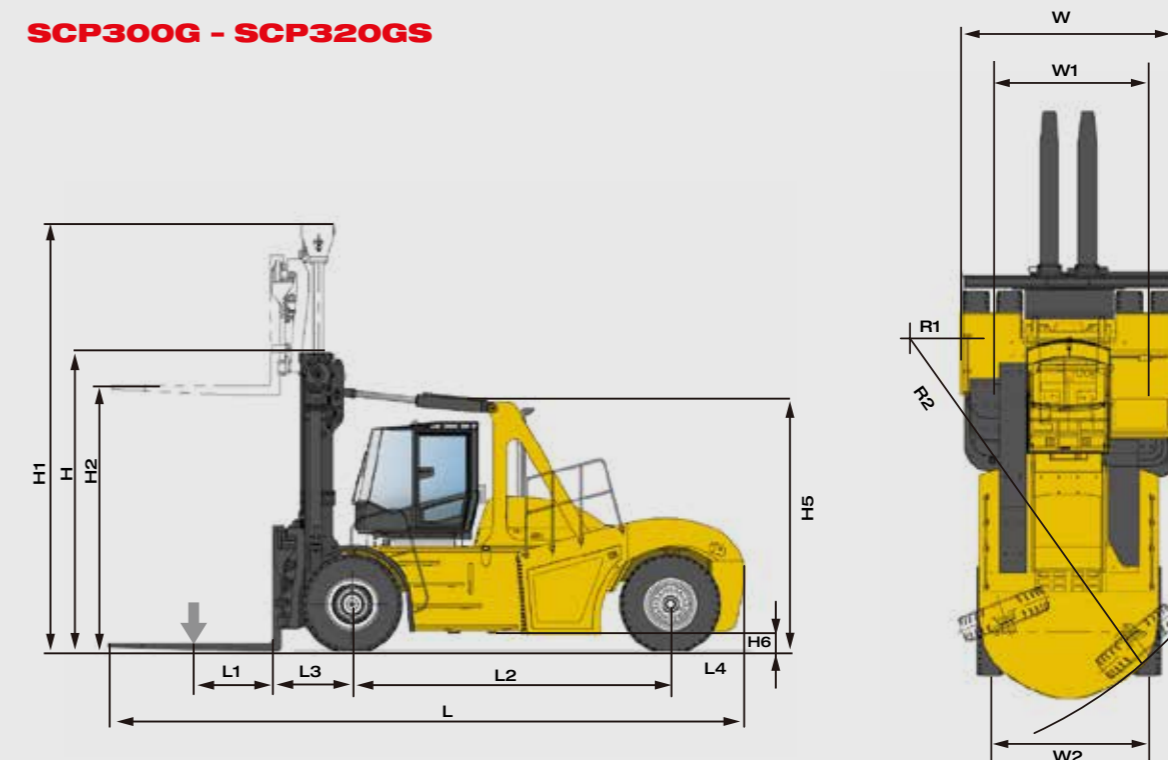
SCP320GS
 SHORT WHEEL-BASE
 GERMAN DESIGN
 32 T LIFT CAPACITY
 SANY HEAVY DUTY FORKLIFT TRUCK

Intelligent design by SANY gives the robustness required for long service lives. Superior rear axle loads provide the required stability. Optimal weight distribution allows a counterweight design to give minimal turning circles.

SCP160G - SCP250G



SCP300G - SCP320GS



| MAIN DIMENSIONS | | | | | |
|-----------------|--------------------------|---------|---------|---------|----------|
| Model | | SCP160G | SCP250G | SCP300G | SCP320GS |
| L2 | Wheel base | mm | 3750 | 4300 | 4500 |
| | Service Weight | kg | 25500 | 36900 | 44100 |
| L | length overall | mm | 8070 | 8840 | 9225 |
| W | Width overall | mm | 2675 | 3100 | 3580 |
| H | Height overall | mm | 3760 | 3960 | 4380 |
| L1 | Load center | mm | 1200 | | |
| L3 | overhang front | mm | 1010 | 1135 | 1220 |
| L4 | overhang rear | mm | 910 | 1005 | 1105 |
| H6 | ground clearance | mm | 330 | | |
| H4 | Cab height / | mm | 3285 | 3340 | |
| H5 | frame height over cab H5 | mm | | | 3790 |
| | seat height above ground | mm | 1910 | 2040 | 2195 |
| R1 | inner turning radius | mm | 460 | 940 | 780 |
| R2 | outer turning radius | mm | 5100 | 6000 | 6300 |
| W1 | front track width | mm | 1898 | 2204 | 2472 |
| W2 | rear track width | mm | 2120 | 2450 | 2450 |

| AXLE LOADS | | | | | |
|------------|--------------------------|---------|---------|---------|----------|
| Model | | SCP160G | SCP250G | SCP300G | SCP320GS |
| | axle load front w/ load | kg | 37184 | 57245 | 65790 |
| | axle load rear w/ load | kg | 4316 | 4655 | 7310 |
| | axle load front w/o load | kg | 11654 | 18669 | 20250 |
| | axle load rear w/o load | kg | 13846 | 18231 | 22850 |



HIGH PERFORMANCE.

ENGINE

For each heavy-duty forklift, SANY has selected an engine to deliver constant power over a wide rpm range. The vehicles are therefore capable of powerful performance at mid-range engine speeds for optimal fuel consumption and reduced noise levels.

ENGINE, TRANSMISSION & AXLES

| Model | SCP160G | SCP250G | SCP300G | SCP320GS |
|--------------------|----------------------|----------------------|----------|----------|
| engine brand | Volvo | | | |
| engine type | TAD572VE | TAD871VE | | |
| displacement | 5130 cm ³ | 7700 cm ³ | | |
| rated power | 160 kW at 1700-2300 | 185 kW at 1630-2200 | | |
| max. torque | 910 Nm at 1450 | 1160 Nm at 1200 | | |
| emission standard | EU Stage IV | | | |
| transmission brand | DANA | | | |
| speeds | 3F / 3R | 4F / 4R | 3F / 3R | |
| transmission type | TE17310 | TE14415 | TE17310 | |
| front axle model | Kessler D81 | Kessler D91 | | |
| tire dimension | 12.00-24 | 14.00-24 | 16.00-25 | |

GEARBOX

The gearboxes used are the TE series from the transmission specialist DANA. These provide smooth starts, automatic and under-load shifting, as well as fuel efficiency.

PERFORMANCE

| Model | | SCP160G | SCP250G | SCP300G | SCP320GS |
|------------------------------|--------|---------|---------|---------|----------|
| rated lift capacity | t | 16 | 25 | 30 | 32 |
| weight | kg | 25500 | 36900 | 43100 | 44100 |
| lift speed max. w load | mm/s | 350 | 300 | 250 | 250 |
| lift speed max. w/o load | mm/s | 400 | 350 | 400 | 400 |
| lowering speed max. w/ load | mm/s | 400 | 500 | 450 | 450 |
| lowering speed max. w/o load | mm/s | 400 | 500 | 450 | 450 |
| travel speed max. w/ load | km/h | 28 | 25 | 22 | 22 |
| travel speed max. w/o load | km/h | 30 | 27 | 25 | 25 |
| Gradeability w/ load | % | 33 | 41 | 25 | 24 |
| Gradeability w/o load | % | 42 | 42 | 47 | 45 |
| cab noise | dB (A) | 74 | 74 | 74 | 74 |
| lift height standard | mm | 4000 | 4000 | 4000 | 4000 |
| lift height maximum (opt) | mm | 6500 | 6000 | 6000 | 6000 |

HYDRAULICS

Separate fluid systems for transmission, hydraulics and brakes/axle protect against contamination. The hydraulics of course use load-sensing, i.e the hydraulic pump delivers only the quantity and pressure of oil required. This improves fuel efficiency and avoids unnecessary heating of the oil.

OIL- AND FUELQUANTITIES

| Model | | SCP160G | SCP250G | SCP300G | SCP320GS |
|---------------|---|---------|---------|---------|----------|
| hydraulic oil | l | 375 | 330 | | |
| exhaust fluid | l | 45 | | | |
| Diesel | l | 400 | | | |

HIGHLY CAPABLE

STANDARD EQUIPMENT AND OPTIONS



Standard equipment: Robust fork carrier with easily exchangeable forks, including sideshift and fork positioning.

Coil forks and other attachments available on request.

Standard equipment: Duplex mast for excellent visibility.

Duplex mast with free lift. The lifting cylinders are positioned on the side of the mast and allow an unrestricted view through the mast's open middle.

STANDARD EQUIPMENT

- Duplex mast for 4000 mm lifting height
- Fork carrier with attached forks, 2400 mm fork length
- Electro-hydraulic fork sideshift
- Electro-hydraulic fork-distance adjustment
- Electro-hydraulic cabin tilt (on SCP160G -SCP250G)
- Electro-hydraulically cabin slide (SCP300G - SCP320GS)
- LED lighting system, 12 lights
- Rotating beacon
- 2-litre fire extinguisher
- Air conditioning
- Load sensing hydraulics
- 9-inch colour display
- Glass roof with sunblind and protective grille
- Radio ready
- Electric parking brake

MAIN OPTIONS

- Masts of different heights
- Duplex masts with free lift
- Triplex masts with free lift
- Reverse drive camera
- Rear distance sensors
- Tyre pressure monitoring
- All-round camera system
- Automatic fire extinguishing system in engine bay
- Emergency stop switches on both sides of the vehicle
- External display for daily maintenance control
- Central lubricating system
- Air-suspension operator seat, electrically adjustable lumbar supports, seat heating
- Diesel-operated auxiliary cabin heating
- Winter package for electrical prewarming of engine, diesel and hydraulic oil
- Radio with MP3 player, SD card reader, Bluetooth and jack plug connection
- Document holder, holder for tablet PC
- Automatic engine shutdown at idling
- Adjustable speed limiter
- Additional work lights
- Special paintwork

FORK-DIMENSIONS (WIDTH - STRENGTH - LENGTH)

| SCP160G | SCP250G | SCP300G | SCP320GS |
|------------------|------------------|------------------|------------------|
| 200 x 100 x 2400 | 250 x 110 x 2400 | 300 x 110 x 2400 | 300 x 125 x 2400 |

DUPLEX MAST WITHOUT FREELIFT IN MM

| SCP160G | | | SCP250G | | | SCP300G | | | SCP320GS | | |
|----------------|---------------|-------------|----------------|---------------|-------------|----------------|---------------|-------------|----------------|---------------|-------------|
| lifting height | closed height | open height | lifting height | closed height | open height | lifting height | closed height | open height | lifting height | closed height | open height |
| 3500 | 3510 | 5210 | 3500 | 3710 | 5405 | - | - | - | - | - | - |
| 4000 | 3760 | 5710 | 4000 | 3960 | 5905 | 4000 | 4380 | 6325 | 4000 | 4380 | 6325 |
| 4500 | 4010 | 6210 | 4500 | 4210 | 6405 | 4500 | 4610 | 6805 | - | - | - |
| 5000 | 4260 | 6710 | - | - | - | - | - | - | - | - | - |
| 5500 | 4510 | 7210 | 5500 | 4710 | 7405 | 5500 | 5110 | 7805 | - | - | - |
| 6000 | 4760 | 7710 | 6000 | 4960 | 7905 | 6000 | 5360 | 8305 | 6000 | 5380 | 8325 |
| 6500 | 5010 | 8210 | - | - | - | - | - | - | - | - | - |

DUPLEX MAST WITH FREELIFT IN MM

| SCP160G | | | | SCP250G | | | | SCP300G | | | | SCP320GS | | | |
|----------------|---------------|-------------|------------------|----------------|---------------|-------------|------------------|----------------|---------------|-------------|------------------|----------------|---------------|-------------|------------------|
| lifting height | closed height | open height | free-lift height | lifting height | closed height | open height | free-lift height | lifting height | closed height | open height | free-lift height | lifting height | closed height | open height | free-lift height |
| 4000 | 3760 | 5710 | 2050 | 4000 | 3960 | 5910 | 2050 | 4000 | 4360 | 6305 | 2000 | 4000 | 4360 | 6305 | 2000 |

TRIPLEX MAST WITH FREELIFT IN MM

| | | | | | | | | | | | | | | | |
|------|------|------|------|---|---|---|---|---|---|---|---|---|---|---|---|
| 4500 | 3490 | 6455 | 1250 | - | - | - | - | - | - | - | - | - | - | - | - |
|------|------|------|------|---|---|---|---|---|---|---|---|---|---|---|---|



EXCEPTIONAL PERFORMANCE. EXCEPTIONAL CUSTOMER SERVICE.

Purchasing a SANY heavy-duty forklift is the beginning of a close relationship with SANY and its authorised dealerships. Service technicians at the dealerships undergo training at SANY Europe. They are able to perform regular maintenance and, in the event of breakdowns, to carry out diagnostics to quickly get your vehicle up and running again, with support from SANY-Europe customer service engineers. A wide range of spare parts is available from the central store.

ADR SANY EUROPE GmbH
Sany Allee 1, D-50181 Bedburg

TEL 0049 2272 90531 100

FAX 0049 2272 90531 109

MAIL info@sanyeurope.com

NET www.sanyeurope.com

Not all products are available in every country.
In accordance with our principle of continuous improvement, the right is reserved to change specifications and designs without prior notice.
The illustrations do not necessarily show the standard version of the vehicle.

Vers.-Nr.: 02.2018

SANY