



SW405K

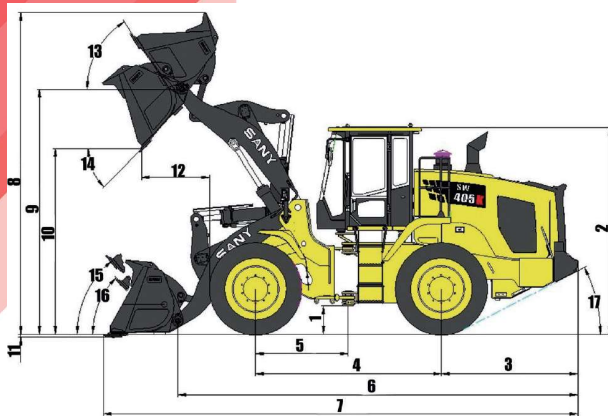
QUALITY
CHANGES THE WORLD



SELLING POINTS

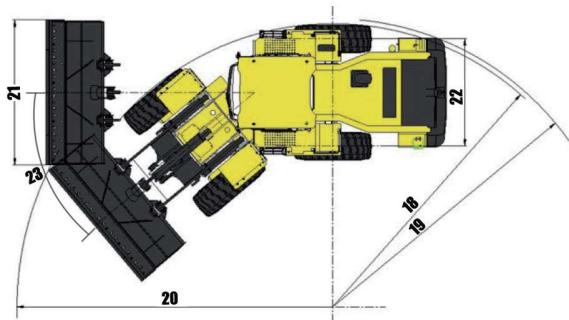
- Engine: Deutz TCD 7.8
- Boom suspension system
- Locking front axle
- Lift and return to dig kick-out
- Transmission neutralizer
- GPS
- Single joystick control
- Preplumbed for quick coupler
- Reversible fan
- Rear view camera

OVERALL DIMENSIONS



	Standard	Metric
1	Height to Axle Centerline	17.32" 440 mm
2	Height to Top of Cab	138.86" 3527 mm
3	Center Line or Rear Axle to Edge of Counterweight	91.73" 2330 mm
4	Wheelbase	125.98" 3200 mm
5	Center Line of Rear Axle to Hitch	63" 1600 mm
6	Shipping Length without Attachment	270.16" 6862 mm
7	Shipping Length with Bucket	320.55" 8142 mm
8	Max. Dump Height	214.21" 5441 mm
9	Hinge Pin Height at Max. Lift	162.72" 4133 mm
10	Dump Clearance at Max. Lift	122.76" 3118 mm
11	The lowest Dump to the Ground	2.2" 56 mm
12	Reach at Max. Lift and 45° Discharge	44.88" 1140 mm
13	Rack Back at Max. Lift	58°
14	Dump Angle at Max. Lift and Dump	45°
15	Rack Back at Carry Height	51°
16	Rack Back at Ground	45°
17	Tail Angle to the rear wheel	27°
18	Clearance Circle to Outside of Tires	228.35" 5800 mm
19	Clearance Circle to Counterweight	232.72" 5911 mm
20	Max. Circle	254.17" 6456 mm
21	Width of the Bucket	117.13" 2975 mm
22	Width	86.61" 2200 mm
23	Articulation Angle	+/- 40°

MACHINE PARAMETERS



Hydraulic Cycle Times	Raise	5.4 sec
	Dump	1.9 sec
	Float Down	3.3 sec
	Total Cycle Time	10.6 sec

Service Capacities	Fuel Tank	85 gal
	Cooling System	5.25 gal
	Engine Crankcase	6 gal
	Transmission	4.7 gal
Front Axle		5 gal
	Shift Modes	Automatic, Manual, KD
Transmission	Forward Gear 1	4.4 mph
	Forward Gear 2	8 mph
	Forward Gear 3	16 mph
	Forward Gear 4	25 mph
	Reverse Gear 1	4.4 mph
	Reverse Gear 2	8 mph
	Reverse Gear 3	16 mph

Power Train	Front Axle	Fixed
	Traction Aid	Manual Differential Lock
	Rear Axle	Oscillating
	Traction Aid	Open differential
	Service Brakes	Wet Disk
	Parking Brake	SAHR Disk Brake

Engine	Engine Model	Deutz TCD7.8
	Max Gross Power	262 hp
	Max Gross Torque	962 ft lbs
	Displacement	7.8 ltr

Operating	Bucket Capacity	4.0 cubic yards
	Tipping Load Straight	31,967 lbs
	Tipping Load @ full Turn	28,881 lbs
	Clearance (full lift 45° dump)	10' 2"
	Reach (full lift 45° dump)	3' 10"

Weight	Operating Weight	40,786 lbs
--------	------------------	------------

Hydraulic System	Pump Model	Implement - Kawasaki Steering - Eaton/Danfoss
	Max Flow	81 GPM
	Max Pressure	3916 PSI

 **SANY HEAVY MACHINERY CO.,LTD.**

SANY Industrial Park, Dongcheng Avenue,
Economic and Technological Development Zone,
Kunshan City, Jiangsu Province, China
Consulting Service Hotline: 4008 282318
Website: <http://www.sanygroup.com>



Note

Material and specifications are subject to change without notice.
Feature machines in photos may include additional equipment.

Printed in CHINA