

SANY[®]

SAP45TC-8 SUPER PAVER

SAP45TC-8 超级摊铺机



EXCELLENT PAVING PERFORMANCE

- ◆ High strength screed— the strongest, most rigid design in the industry. Using a frame structure with double layer anti-twist beams to produce consistently stable work.
- ◆ Anti-segregation technology used in all aspects of material handling. Fully proportional, independent conveyor and auger controls match device speeds to paving speed - fully and independently adjustable for various material types.
- ◆ To provide the ultimate in product support, machine controllers can be remotely monitored and even updated!

STABLE AND RELIABLE

- ◆ Wiring harnesses built to industry standards to provide solid connections and protection against heat, cold and moisture.
- ◆ The machine and it's systems are designed to work non-stop, 24 hours a day under full load in a 50 degrees Celsius environment.

领先技术带来摊铺效果好

- ◆ 高强度平板——业内最强刚性设计，采用框架结构及双层防扭梁设计，施工更平整、更稳定。
- ◆ 输分料防离析技术——全比例输分料控制，匹配泵-马达精确控制，大直径、大节拍螺旋叶片提升搅拌均匀度，低匀速供料技术保证输料平稳性，提升路面平整度。
- ◆ 远程程序升级——提供最及时技术更新及服务。

稳定可靠

- ◆ 电气汽车化线束——杜绝接线松动、接触不良，杜绝线路故障。
- ◆ 高效散热模型——机舱内部采用分舱导流技术，优化热量传递路线，提升散热能力，实现高温环境连续施工不停机。

TECHNICAL PARAMETER

技术参数

SAP45TC-8 超级摊铺机技术参数

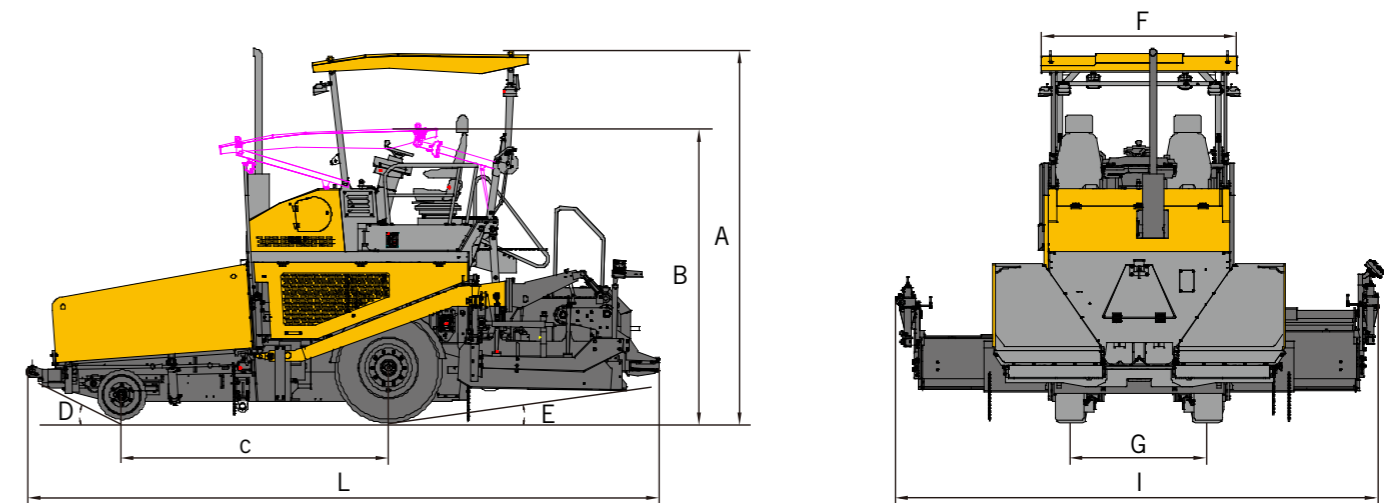
Technical Parameters of SAP45TC-8 Super Paver

型号 Model	SAP45TC-8
最大理论生产能力 Paving Capacity(t/h)	250
最大摊铺宽度 Paving Width(m)	伸缩板 Hydraulic: 4.5
基本宽度 Basic Width(m)	伸缩板 Hydraulic: 1.7~3.1
最大摊铺厚度 Max. Paving Thickness(cm)	25
工作速度 Working Speed(m/min)	1.5~25
行驶速度 Travel Speed(km/h)	0~20
运输尺寸 Transport Size(mm)	伸缩板 Hydraulic: 6620×2100×3030
发动机品牌 Engine Brand	WEICHAI
发动机型号 Engine Model	WP4G125
额定功率 Rated Power of Engine(kW)	92
额定转速 Rated Speed of Engine(rpm)	1900
排放标准 Emission Standard	CHINA III
电控系统电压 Voltage of Electric System(V)	24
最大爬坡能力 Gradeability	≥20%
料斗容量 Hopper Capacity(m³)	6
加热方式 Heating Mode	电加热 Electric Heated
拱度调节范围 Camber Adjustment Range(%)	0~3
振捣数量 Tamps	1
振捣振幅 Amplitude of Tamp(mm)	4
振捣频率 Frequency of Tamp(Hz)	0~25
振动频率 Frequency of Oscillation(Hz)	/

SAP45TC-8 超级摊铺机尺寸参数

Dimensions of SAP45TC-8 Super Paver

型号 Model	SAP45TC-8
A(mm)	3767
B(mm)	3023
C(mm)	2787
D (°)	22
E (°)	12
F(mm)	2056
G(mm)	1422
I(mm)	3047
L(mm)	6618



SANY HEAVY INDUSTRY CO., LTD.

SANY Industry Town, Changsha Economic and Technological Development Zone,
Hunan Province, China
Service Line: +86 4006 098 318 E-mail: crd@sany.com.cn

SANY[®]
QUALITY CHANGES THE WORLD.